

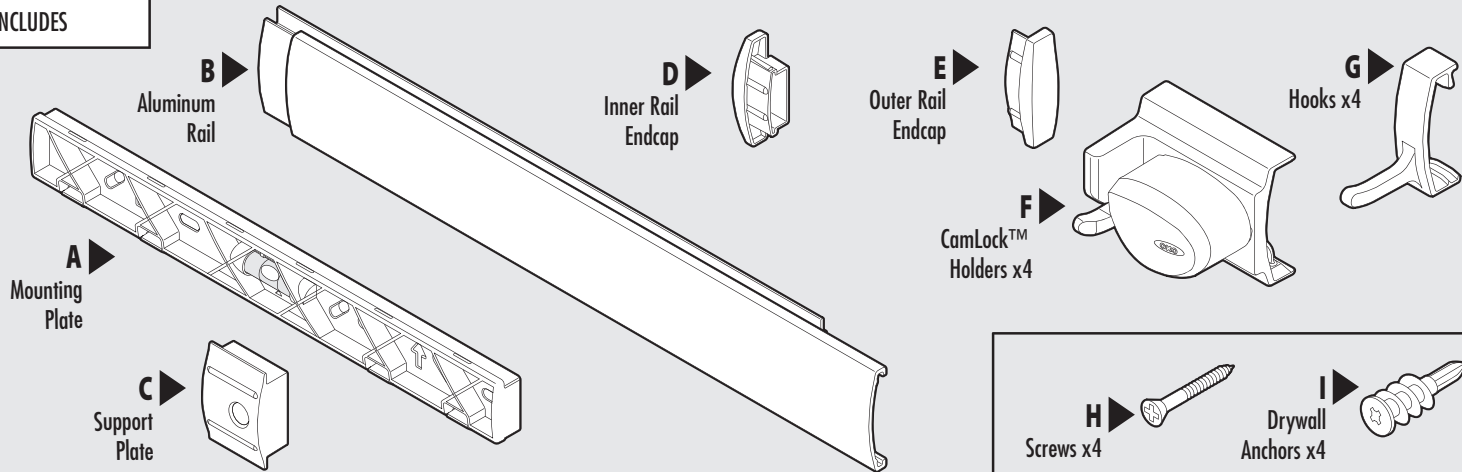


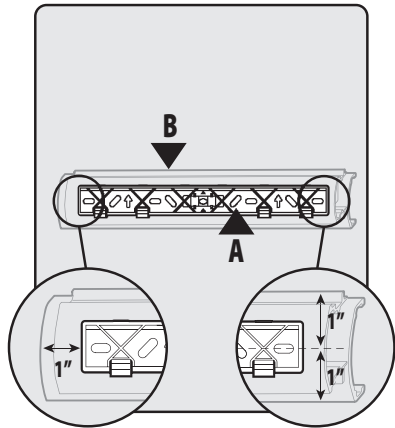
**GOOD
GRIPS®**

Expandable Wall-Mounted Organizer

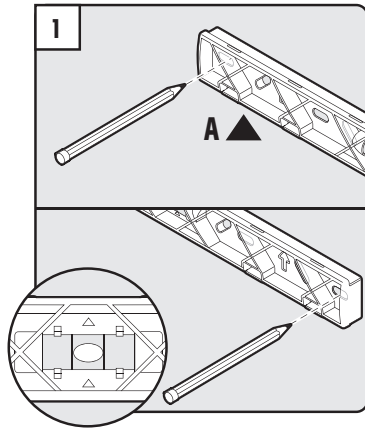
MOUNTING INSTRUCTIONS

INCLUDES

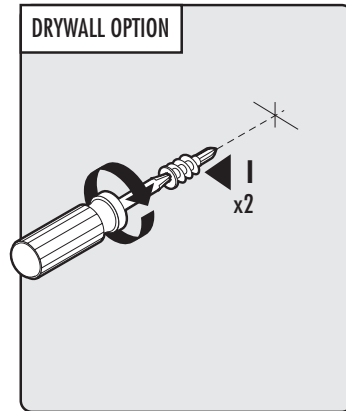




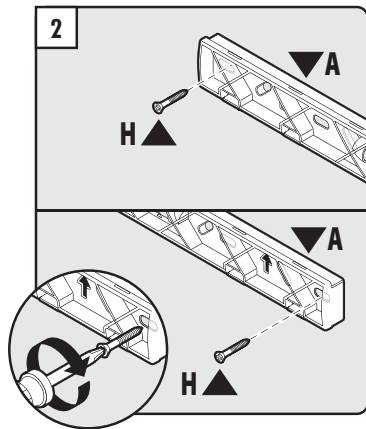
Determine a location for the organizer. Please note that the aluminum rail (B) extends past the mounting plate (A) so adequate clearance is necessary.



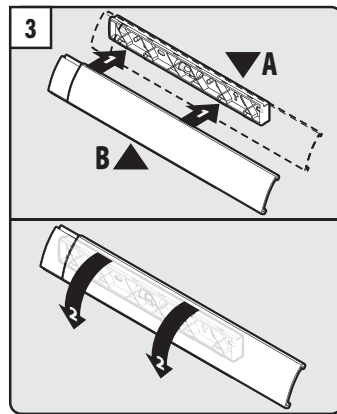
Mark hole on the left side of mounting plate (A). Level mounting plate using built-in level and mark hole on the right side of mounting plate (A).



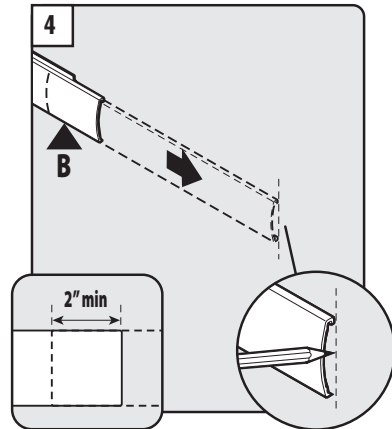
If not mounting directly into a stud, use drywall anchors (1). **TIP:** Put a starter hole in the wall for anchor to go in easily.



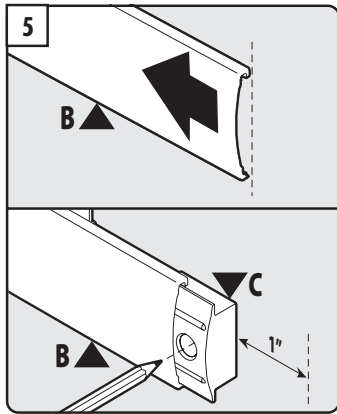
Line up mounting plate (A) with pencil marks. Arrows on mounting plate should be in up position. Fasten the mounting securely to wall using screws (H) provided.



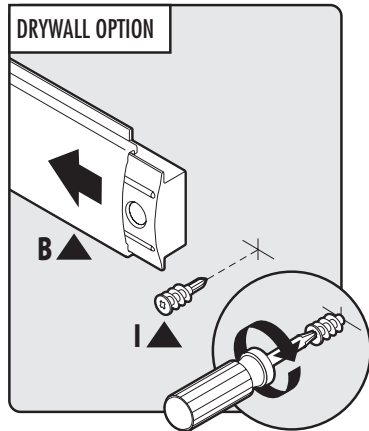
Attach aluminum rail (B) to mounting plate (A) by hooking from top and pushing until it clicks in place.



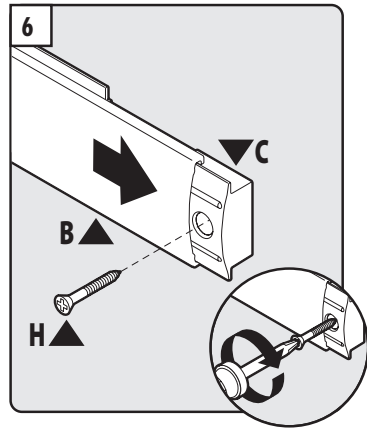
Slide outer rail (B) to desired length. Be sure to maintain a minimum 2" overlap between the inner and outer rails. Mark location on wall.



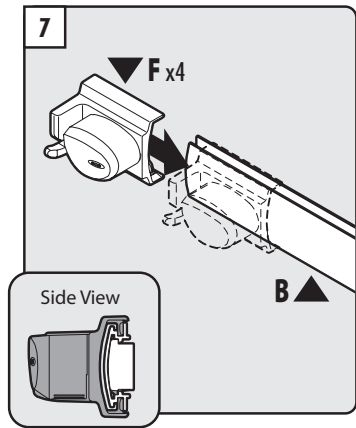
Slide outer rail (B) back and insert support plate (C) into outer rail (B). Support plate (C) must be installed at least 1" from desired length.



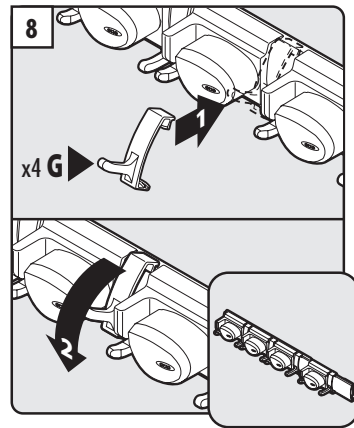
If not mounting directly into a stud, use drywall anchors (I). **TIP:** Put a starter hole in the wall for anchor to go in easily.



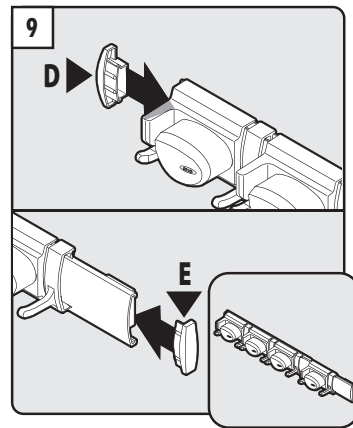
Fasten support plate (C) to mounting surface using screws (H) provided. Slide aluminum rail (B) back into place.



Slide CamLock™ holders (F) onto aluminum rail (B).

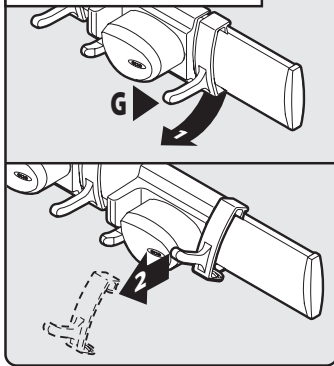


Hooks (G) attach from top of rail and snap into place.



Insert endcaps (D & E).

REMOVING/ADJUSTING HOOKS



Lift hooks (G) from bottom to remove or adjust their positions. **Note:** Camlock™ holders (F) can only be removed by sliding them off of the rails.

www.oxo.com