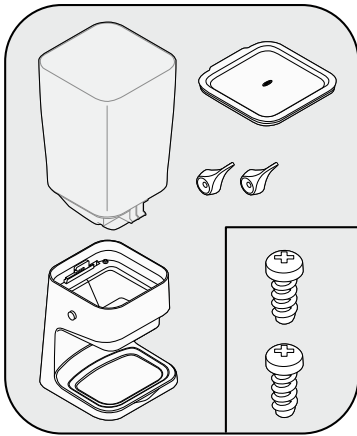




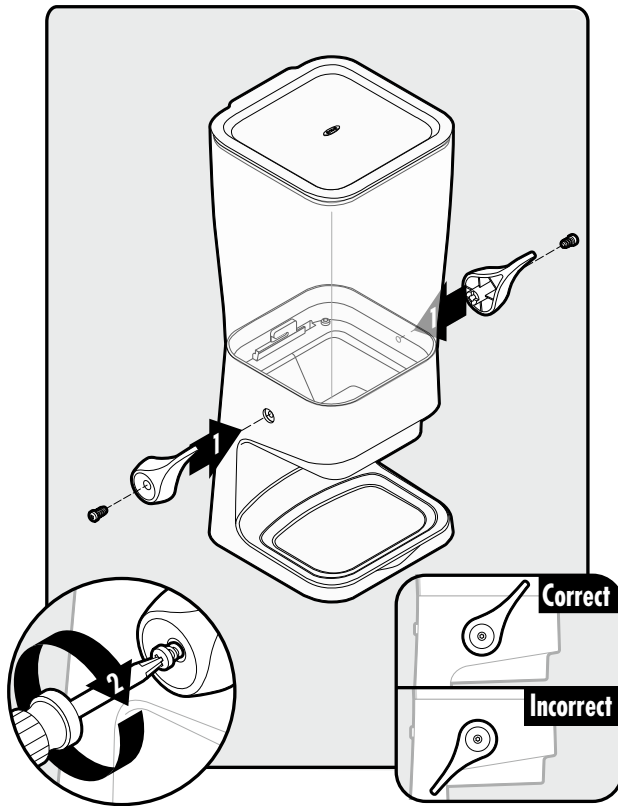
GOOD GRIPS®

Countertop Cereal Dispenser



ASSEMBLY

1. Align one handle with hole on side of Dispenser, with the lever angled towards the front of the product (see image).
2. Using a Philips Head Screwdriver (not included) secure handle to Dispenser with screw (included). Turn until handle feels secure. Repeat for second handle.



USE & CARE

1. Silicone gasket is dishwasher safe; Hand wash all other parts
2. To remove the clear top container from the base for cleaning, slide switch on back of Dispenser into "unlocked" position and lift container. After replacing container, ensure switch is in "locked" position before using Dispenser.