

www.oxo.com

PCKG V1

OXO
**GOOD
GRIPS®**

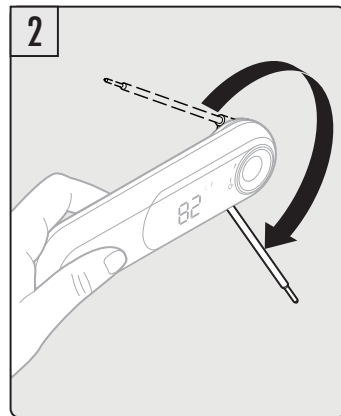
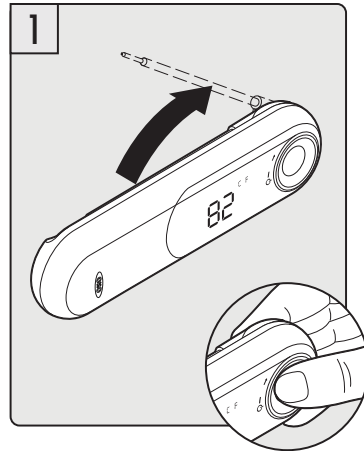
CHEF'S PRECISION

**THERMOCOUPLE
THERMOMETER**



TO USE

1. Hold dial end of Thermometer between thumb and index finger and twist to rotate probe to desired angle. (IMAGE 1)
NOTE: Probe rotates up to 225° for use at any angle (IMAGE 2)
2. If desired, use notch in back of Thermometer to easily grab probe.
3. Thermometer will turn on automatically when probe is rotated. Insert Thermometer into food. Minimum insertion is only $1/8$ " (3 mm) in the center of thickest section of food.

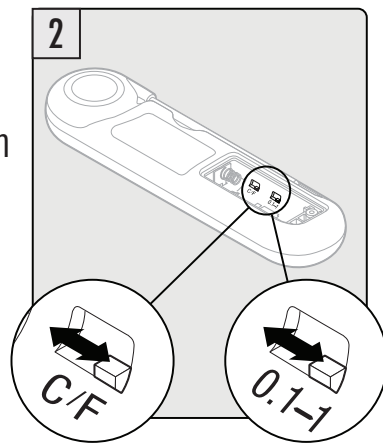
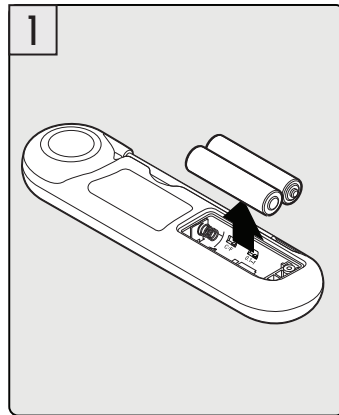


TO CLEAN

1. Wipe probe after each use, and wipe Thermometer body clean regularly with a damp cloth.
2. IP66 water resistance rating means you can rinse Thermometer in water to clean. Do not immerse in water.

TO CHANGE PREFERENCES

1. Use Phillips screwdriver to loosen screw in battery door. When screw head becomes visible, use to remove door. (Do not pull screw completely out.)
2. Remove batteries. (SEE IMAGE 1)
3. Locate switches inside battery compartment (IMAGE 2). Use screwdriver to move switch to change setting between °F and °C or to change resolution, adding or removing the decimal point (e.g. from 1.0° to 1°)
4. Replace batteries and battery door. Tighten screw.



SPECIFICATIONS

Measurement Range	-58 to +572°F (-50~300°C)
Operating Range	32 to +122°F (0~50°C)
Accuracy (T _{amb} =25°C)	-30~150°C: ±0.5°C/0.9°F, otherwise ±1°C/1.8°F or 1% of reading, whichever is greater
Water Resistance Rating	IP66 water resistance

TROUBLESHOOTING

When on but not in use, the Thermometer will read the ambient temperature in the room. The display will automatically turn off after 3 minutes and will automatically turn on again when probe is moved.

<p>Automatic On/Off</p>	<p>Thermometer will go into sleep mode after 3 minutes of inactivity; move Thermometer to turn on. After 10 minutes, Thermometer will automatically turn off; move probe to turn on.</p>
<p>Er 2</p>	<p>Thermometer has been exposed to rapid changes in ambient temperature.</p> <p>To reset, turn off, remove batteries and wait one minute; reinsert batteries and turn on.</p>

<p>Er 3</p>	<p>Ambient temperature is outside the functional range of 0°C (32° F) - 50°C (122°F).</p> <p>To reset, turn off, remove batteries and wait 30 minutes to stabilize to working temperature; reinsert batteries and turn on.</p>
<p>Er</p>	<p>Thermometer needs to be reset.</p> <p>Turn off, remove batteries and wait for one minute; reinsert batteries and turn on.</p>
<p>Hi, Lo</p>	<p>Temperature being measured is outside of the measurement range.</p> <p>Thermometer will automatically display numbers when back in range.</p>

TWO-YEAR WARRANTY

We guarantee everything we make! Starting from the date of purchase, your OXO Good Grips Chef's Precision Thermocouple Thermometer is guaranteed by OXO for two years in the case of any manufacturing defects in materials or workmanship. This OXO warranty is only offered on OXO Thermometers sold and used in the US and Canada. The warranty does not cover damages resulting from misuse or abuse of the product and/or uses inconsistent with this Use and Care manual, attempts at repair, theft, use with unauthorized attachments or failure to follow the instructions provided with the product. The warranty becomes void if attempts at repair are made by non-authorized third parties and/or if spare parts, other than those provided by OXO, are used. For questions, returns, or warranty claims within the US, please visit www.oxo.com or contact OXO Customer Service at (800) 545-4411. We will be glad to assist you. For customer service, claims or questions on sales in Canada, OXO Customer Service will gladly put you in touch with the appropriate individuals. This warranty gives you specific legal rights, and you may have other legal rights which vary from state to state, country to country or province to province. The customer may assert any such rights at their sole discretion.

DO NOT remove the sticker on the back of the thermometer, as product circuitry will be compromised. Failure to follow these instructions will void warranty

CERTIFICATIONS



This Thermometer is approved by NSF, an independent standards organization that verified the quality and food safety of this Thermometer.

Certificate of Compliance (COCO)

EMC (EN 61326-1:2013)

